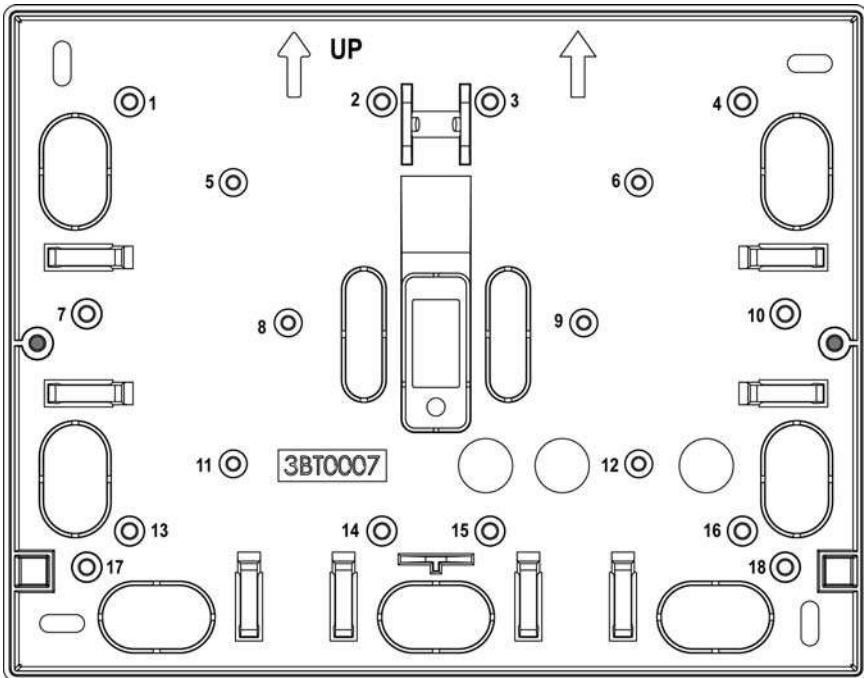


Installation Guide

Panel Accessory Plastic Box

Installation Holes Map



Note: This box is only suitable for devices powered by voltages below 60VDC or 42.4VAC.

Installation of Accessories (Maximum of 2)

ProSYS 8 Zone Expansion Module

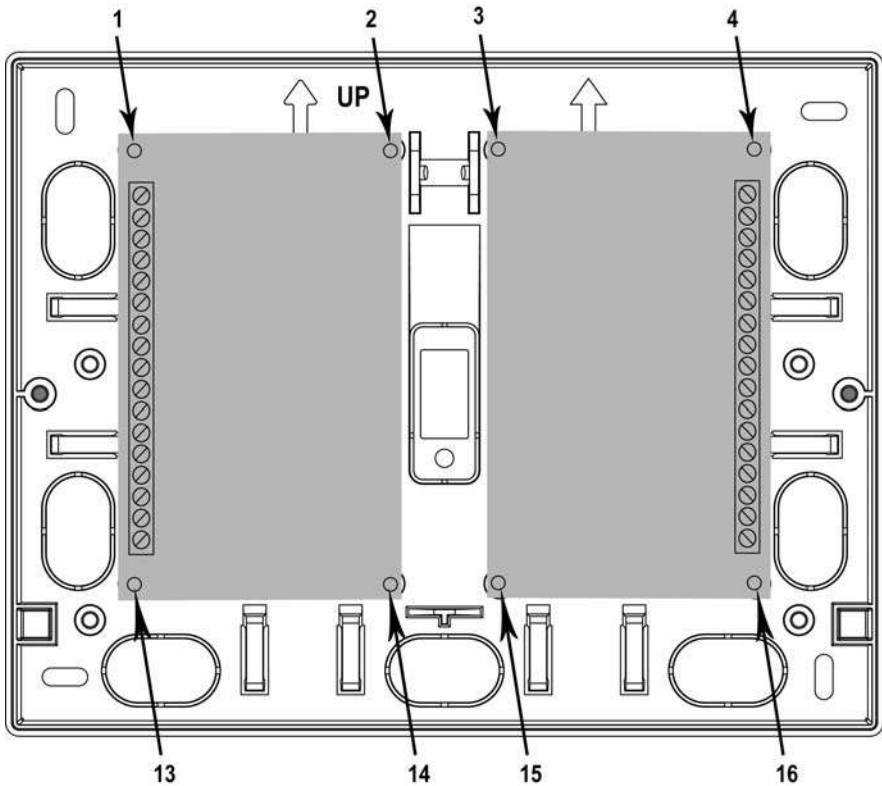
ProSYS 4 Relay Output Module

ProSYS 8 O.C. Output Module

ProSYS Event Log Expansion Module (512, 999)

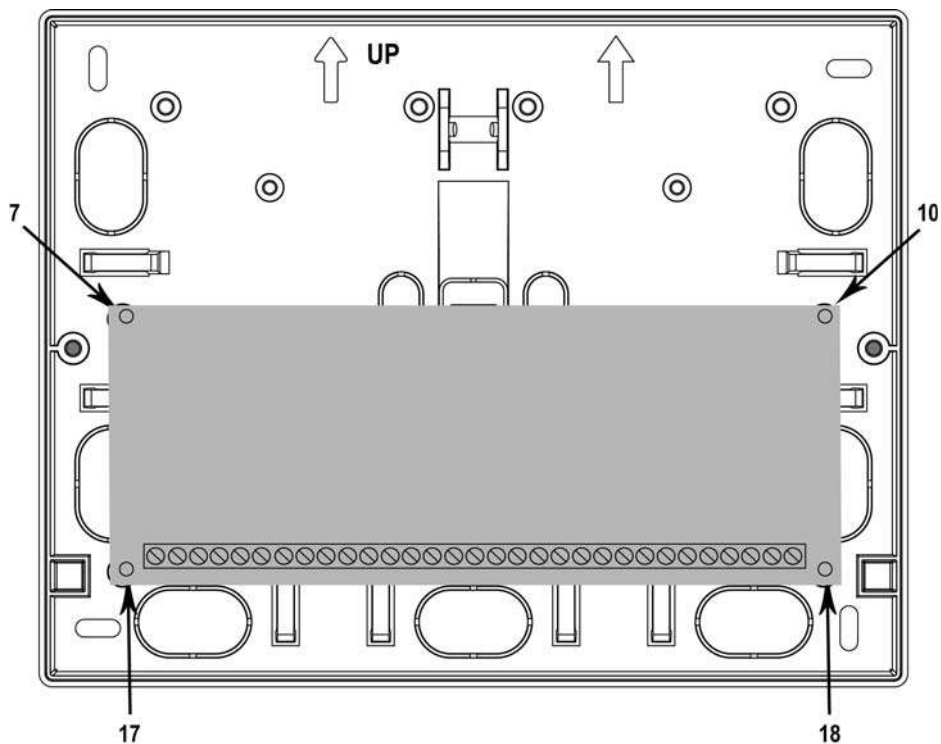
ProSYS X-10 Expansion Module

Connection holes: 1, 2, 13, 14 and/or 3, 4, 15, 16



Installation of a single 16 Zone Expander

Connection holes: 7, 10, 17, 18



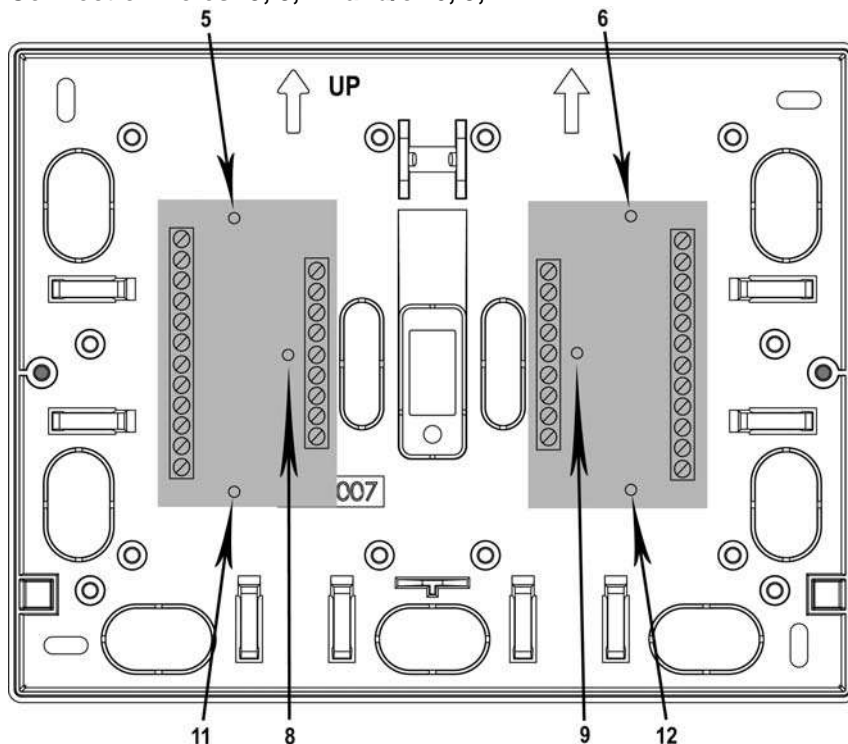
Installation of GT Accessories (Maximum of 2)

Zone Expander (Code 02083)

Relay Output Expander (Code 02085)

ID Expander (Code 02087)

Connection holes: 5, 8, 11 and/or 6, 9, 12



Technical Specifications:

Dimensions: 192 mm x 150 mm x 57 mm

Certification:

EN50131-3 Grade 3 Environmental class II

Ordering Information:

Model	Description
ProSYS B5	Plastic accessory box with tamper

RTTE Compliance Statement:

Hereby, RISCO Group declares that this equipment is in compliance with the essential requirements and other relevant provisions of Directive 1999/5/EC. For the CE Declaration of Conformity please refer to our website: www.riscogroup.com.

